



QLZ06DC Series Crossflow Blower

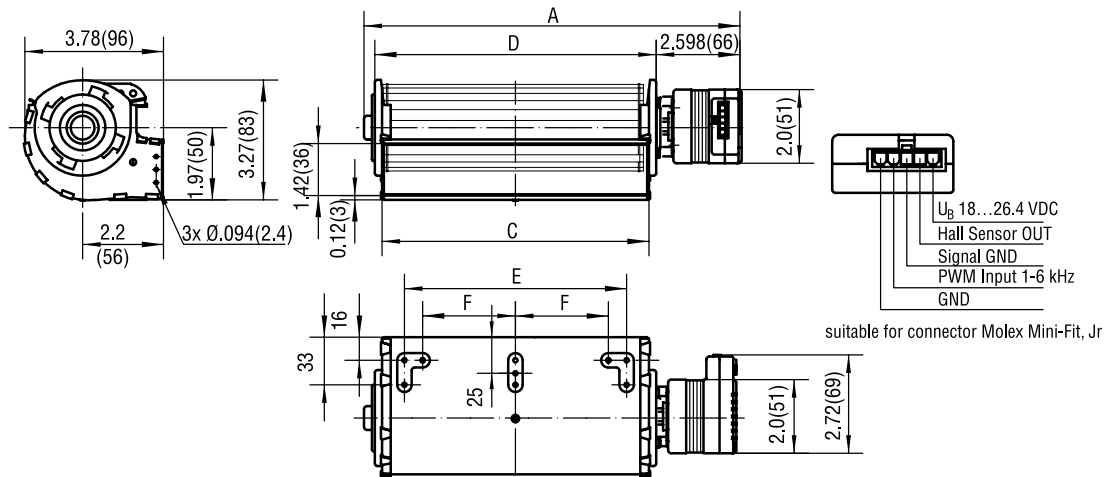
120... 240mm x Ø 60mm Impeller

- Crossflow blowers with electronically commutated EC-motors.
- Integrated electronics
- Protection class IP20, insulation class F.
- Permissible ambient temperature 0-60° C.
- Minimum order quantity may apply.

Part Number	Model Number	Motor Position (L/R)	VDC	Airflow (CFM)*	Max. Static Pressure (Pa)	Power Input (W)*	Speed* (RPM)	Weight (lbs.)	Insulation Class
55668.30010	QLZ06/1200-2212	R	24	71	95	10	2,100	1.5	F
55668.30030	QLZ06/0012-2212	L	24	71	95	10	2,100	1.5	F
55668.32000	QLZ06/1800-2212	R	24	106	100	14	2,100	1.7	F
55668.32010	QLZ06/0018-2212	L	24	106	100	14	2,100	1.7	F
55668.34010	QLZ06/2400-2212	R	24	129	80	17	1,800	1.8	F
55668.34020	QLZ06/0024-2212	L	24	129	80	17	1,800	1.8	F

* Data based on free delivery conditions. Subject to alterations.

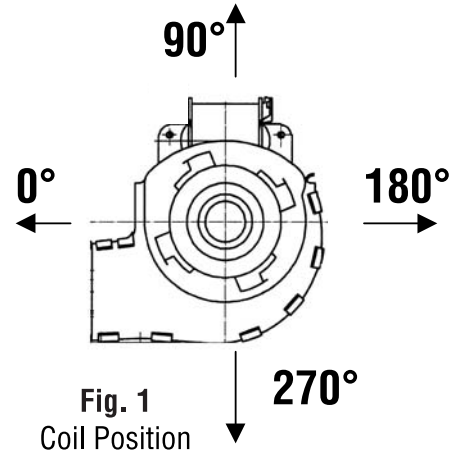
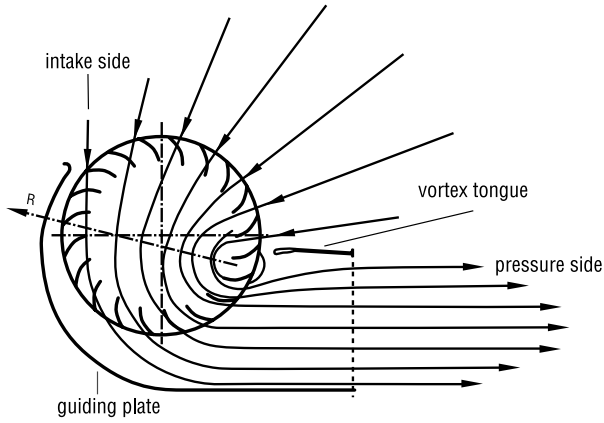
Model Number	Motor Position	A		C		D		E		F	
		inch	mm	inch	mm	inch	mm	inch	mm	inch	mm
QLZ06/1200-2212	R	7.32	186	4.92	125	5.31	135	3.70	94	n/a	n/a
QLZ06/0012-2212	L	7.32	186	4.92	125	5.31	135	3.70	94	n/a	n/a
QLZ06/1800-2212	R	9.69	246	7.20	183	7.72	196	6.06	154	2.52	64
QLZ06/0018-2212	L	9.69	246	7.20	183	7.72	196	6.06	154	2.52	64
QLZ06/2400-2212	R	12.76	324	9.57	243	9.96	253	8.35	212	3.66	93
QLZ06/0024-2212	L	12.76	324	9.57	243	9.96	253	8.35	212	3.66	93



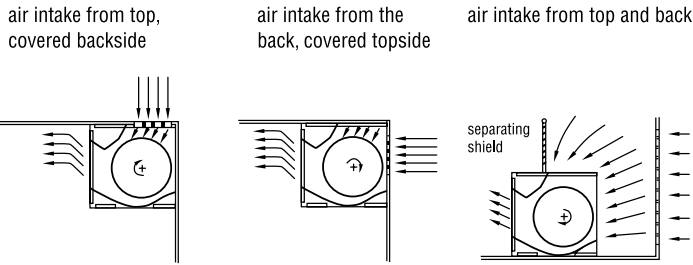
All data subject to change without notice

Crossflow Blower Installation Recommendations

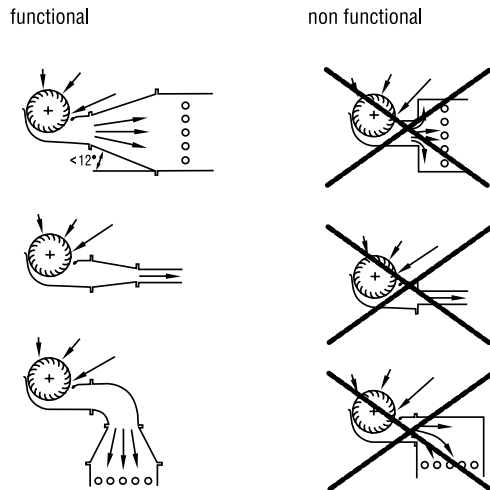
Vortex stream through tangential blower



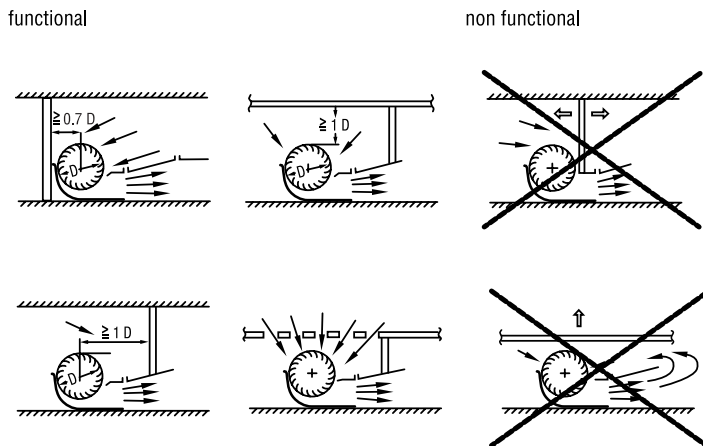
Mounting conditions for QL 4 series



Mounting conditions on pressure side QLK, QLZ, QLN



Mounting conditions on intake side QLK, QLZ, QLN



Separation of suction and pressure area

